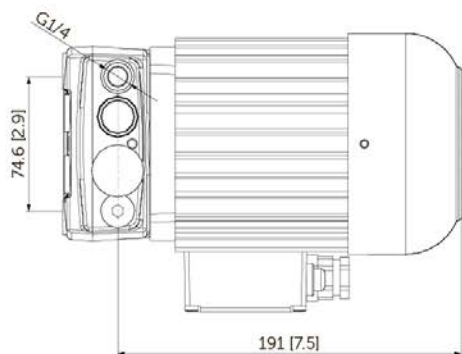
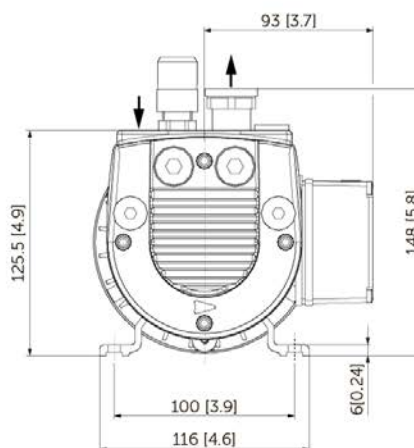
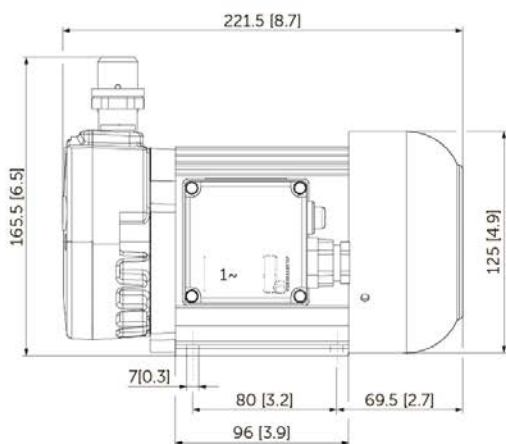




Model: **VT4.4**

SPECIFICATIONS

Volume flow 50 Hz	4.1 m ³ /h
Vacuum absolute 50 Hz	150 mbar
Power 50 Hz	0.18 kW
Noise Level 50 Hz	59.0 dB(A)
Volume flow 60 Hz	4.7 m ³ /h
Vacuum absolute 60 Hz	150 mbar
Power 60 Hz	0.21 kW
Noise Level 60 Hz	61.0 dB(A)
Weight	7.0 kg with motor



mm [inch]

BECKER VT 4.4